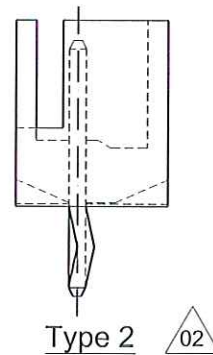
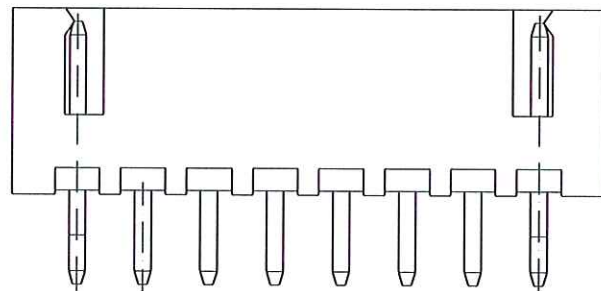
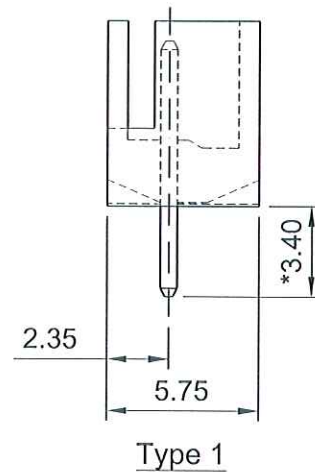
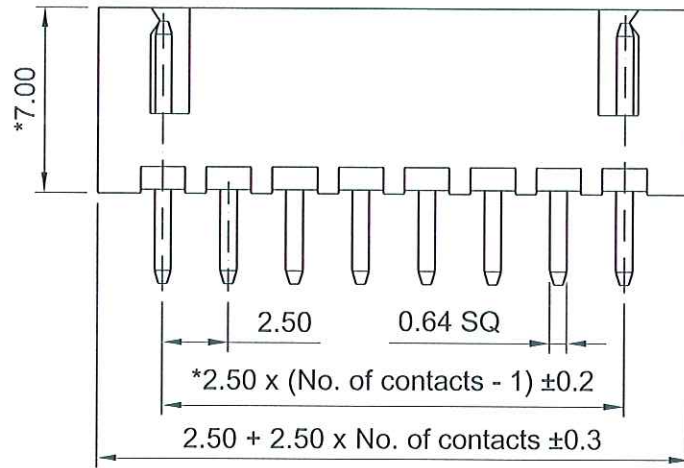
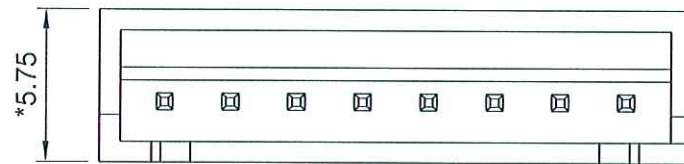


RoHS  
Compliant  
2002/95/EC

REV.	DESCRIPTION	DATE	APPR.
02	新增型態 (Type 2)	2009/11/09	陳世官

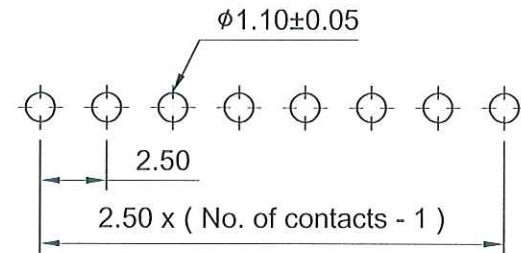


Specifications

Current Rating : 3A AC, DC  
 Voltage Rating : 250V AC max.  
 Operating Temp : -25°C ~ +85°C  
 Contact Resistance : 10mΩ max.  
 Insulation Resistance : 1000MΩ min.  
 Terminal Material : Brass / Tin plated  
 Insulator Material : Nylon 66, UL 94V-0 + G.F.  
 Circuit Size : 2 to 20 (250B-WS-xxT)  
 2 to 16 (250B-WS-xxT1) 02

Packing : Bag

250B-WS-xxTx  
 Type  
 Blank : Type 1 (standard)  
 1 : Type 2 02  
 No. of contacts



**JAWS** 兆旭股份有限公司  
 JAWS CO., LTD.  
 7F., No.31, Ln. 169, Kangning St., Xizhi Dist.,  
 New Taipei City 221, Taiwan (R.O.C.)  
 TEL:886-2-2692-2898  
 FAX:886-2-2692-2618  
 Http://www.jaws.com.tw

THIRD ANGLE PROJECTION		DESIGN UNITS mm INCH
SIZE: A4	SCALE: FREE	SHEET: 1/1
CPN :		DWG NO.: JAWS-SOP-250B006
DAN NO.: S10007-032		REV. 02

TITLE: 2.5mm Wafer Dip Type Top Entry	
PARTS NO.: 250B-WS-xxTx	
DWG NO.:	REV.
JAWS-SOP-250B006	02

GENERAL TOLERANCES: ±0.30	DRAWN	游熾瑩	DATE	2011/07/22
	CHECKED	Wang	DATE	2011/07/22
	APPROVED	Ates	DATE	2011/07/22